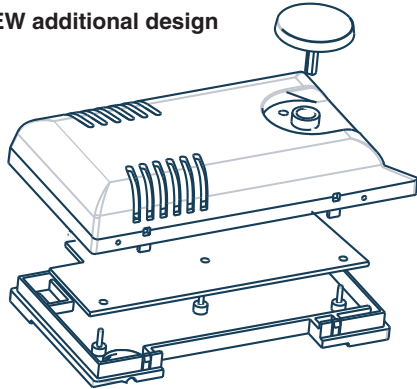


# ENCLOSURE WITH KNOB

**SERIES**  
**630**

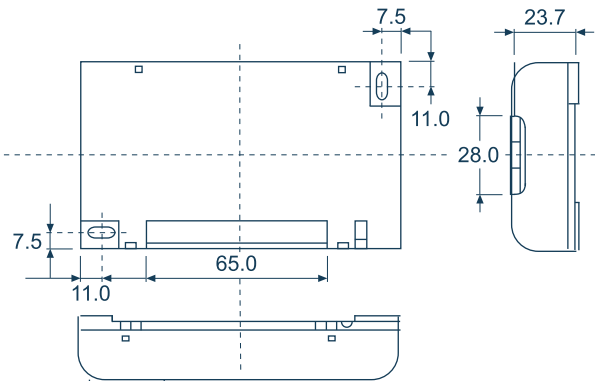
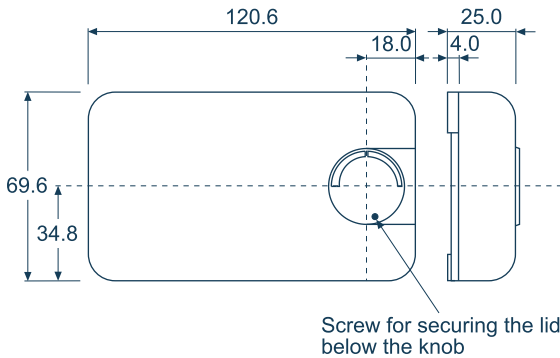
**NEW additional design**



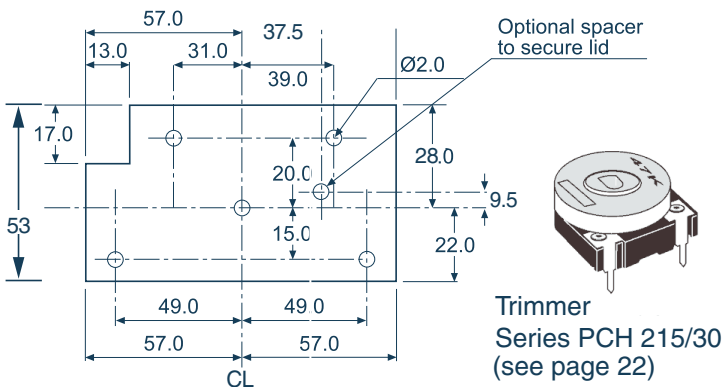
Enclosure with knob, for wall mounting, suitable for room thermostats etc. A knob fits among others trimmer PCH 215/30 and another knob for encoder can be used. See [www.Bernic.dk](http://www.Bernic.dk). Standard colour is white/black but other colours can be supplied upon request. PCB and packing are available. Base part available with cold pressfixing taps or for selftapping screws to fix the PCB.

**TECHNICAL DATA:**

Top part: Cycoloy C 2800  
 Base part: Lexan 940  
 Colour: White/black (RAL9010/RAL9005)  
 Temperature range: -30 - + 90 °C  
 Self-extinguishing: Acc. to UL94-V0  
 Knob: Cycoloy C 2800

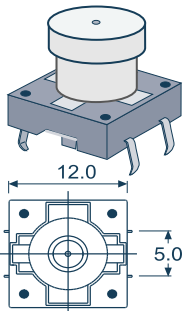


**PCB DIMENSIONS:**

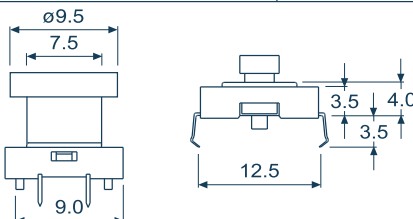


TYPE 630	ORDER CODE:
Top part	p/n 0630000600
Base part incl. 2 screws	p/n 0669000609
Base part w.integrated spacer	p/n 0699000612
PCH 215/30 10k trimmer	p/n 0207220103
Packing	p/n 2068601004
Raw PCB	p/n 4999000600
Knob for encoder	p/n 7445501607
Knob without print	p/n 0669001603
Knob with grey print	p/n 0669080603
Knob with red print	p/n 0669020603
Knob with black dot	p/n 0669081603
Light conductor	p/n 4972001258
Push button switch	p/n 4955127313
Rocker switch - 28V DC	p/n 1441210212

## PUSH BUTTON-SWITCH - SERIES 1273



TYPE:	ORDER CODE:
Tact-switch with $\varnothing$ 9,5 mm knob white colour	p/n 4955127313



● All measurements are in mm.

**1273**

Push switches for series 300/600/900 with snap-in terminals and knob. Knob available in several colours upon request.

Colour: White  
 Contact rating: 50 m A/12V DC  
 Contact resistance: 100 mW  
 Life time: Min. 100.000 operations  
 Operating force: 100 g