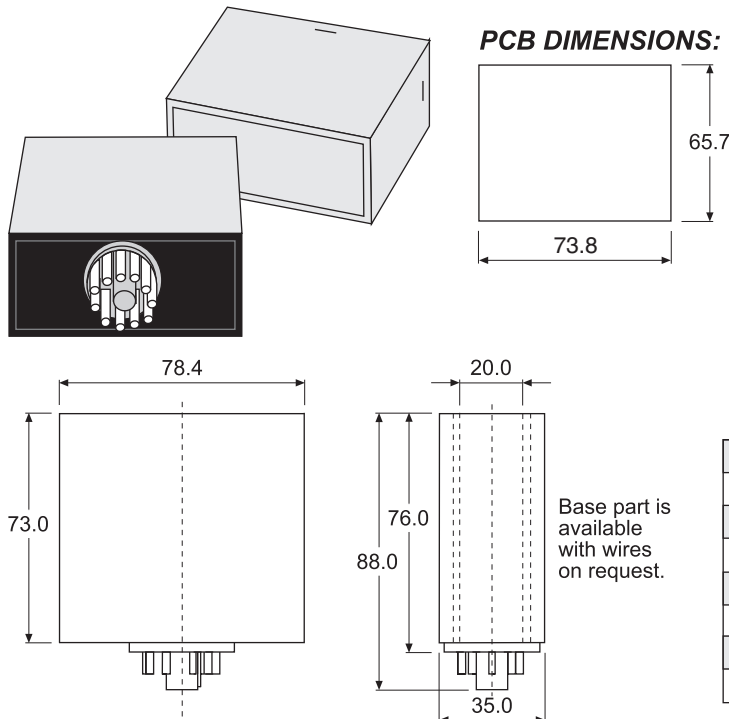


DIN-RAIL MOUNTED ENCLOSURE

SERIES 500



DIN-rail mounted enclosure with 11 pin-header. PCB and packing are available. A 15 mm trimmer like the PCV 215/30 10k can be in the center.

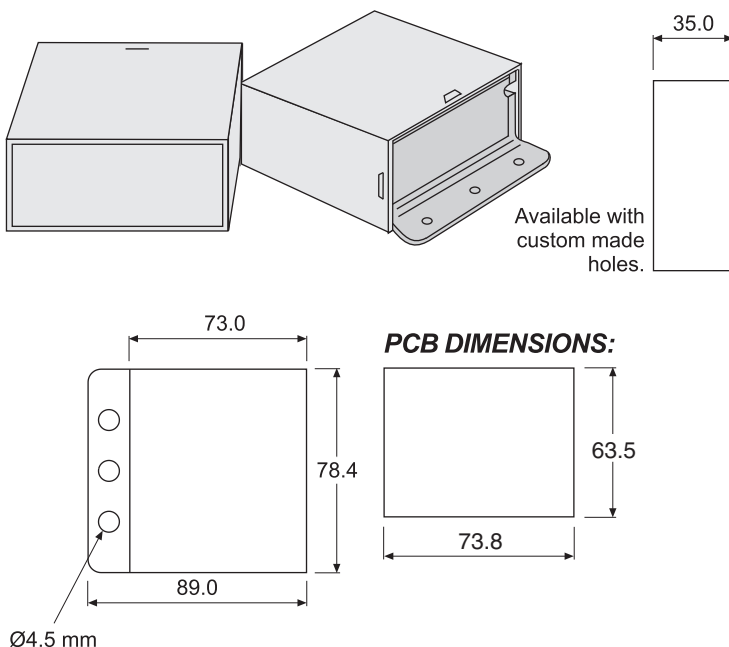
TECHNICAL DATA:

Top part: Lexan 940
 Base part: Noryl
 Colour: Grey/black (Standard) (RAL 7035/RAL 7021)
 Temperature range: -30 - +100°C
 Self-extinguishing: Acc. to UL94-VO
 Label dimension: 31.0 x 74.0
 Creepage-distance pin to pin: > 4mm
 Rated and maximum voltage pin to pin: 250 V
 Rated and maximum current pr. pin: 10A

TYPE 500:	ORDER CODE:
Top part, grey, RAL 7035	p/n 2069020500
Top part, black, RAL 7021	p/n 2069040500
Top part, blue, RAL 5015	p/n 2069030500
Top part, green, Pantone 3275	p/n 2069050500
Base part/11 pin, black, RAL 7021	p/n 2069000512
Packing	p/n 2068500001
Trimmer PCV 215/30 10k, lin.	p/n 0207240103

FLANGE MOUNTED ENCLOSURE

SERIES 501



Flange mounted enclosure to be used for thermostats, relay boxes etc. PCB and packing are available.

TECHNICAL DATA:

Top part: Lexan 940
 Base part: Valox 357
 Colour: Black/black (RAL7021/RAL7021)
 Temperature range: -30 - +100°C
 Label dimension: 31.0 x 74.0
 Self-extinguishing: Acc. to UL94-VO

TYPE 501:	ORDER CODE:
Top part, grey, RAL 7035	p/n 2069020500
Top part, black, RAL 7021	p/n 2069040500
Top part, blue, RAL 5015	p/n 2069030500
Top part, green, Pantone 3275	p/n 2069050500
Base part, black, RAL 7021	p/n 2069000502
Packing	p/n 2068500001

● All measurements are in mm.