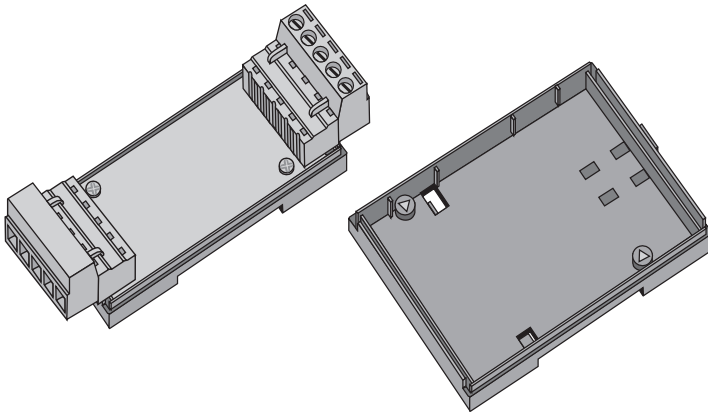


DIN-RAIL SUPPORTS

SERIES
3600

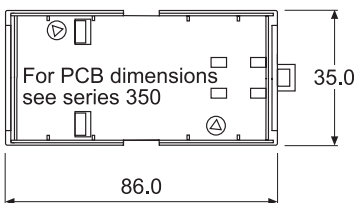


Supports for PCB's is the quickest and simplest method to assemble electronic equipment into closed racks. The supports are easily fastened onto a DIN-rail by means of a clip. This 2 - 9 modular system allows different PCB dimensions according to customer requirements.

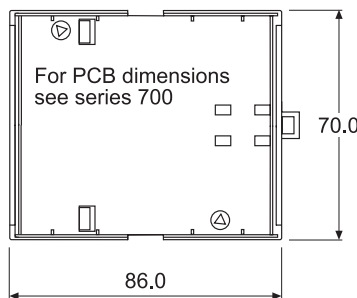
BASE PART:

Material: Noryl VO 1550
 Colour: Black (RAL 7021)
 Max. temperature: 100°C
 Terminals: Plugable, fixed or screw-less
 Mounting: DIN-rail (EN50022)
 Self-extinguishing: Acc. to UL94-V0

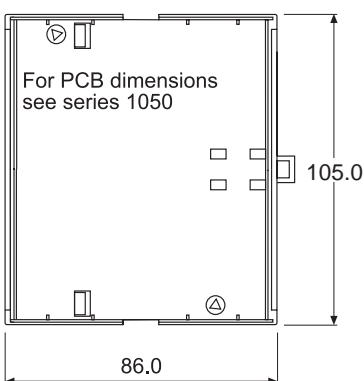
TYPE 3635



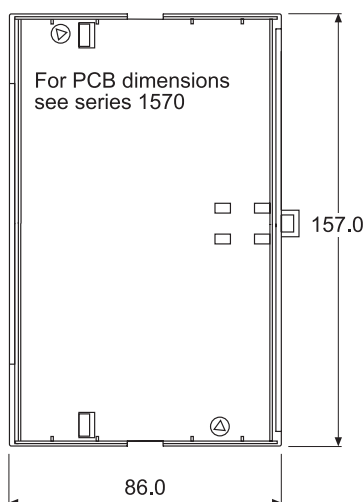
TYPE 3670



TYPE 36105



TYPE 36157



TYPE:	ORDER CODE
DIN-rail clip for type 3635	p/n 0669000605
DIN-rail clip for type 3670-36157	p/n 0669000604
Type 3635 base w.clip+2 screws	p/n 4969002351
Type 3670 base w.clip+2 screws	p/n 4969002701
Type 36105 base w.clip+2 screws	p/n 4969021051
Type 36157 base w.clip+2 screws	p/n 4969021571
Terminal for 3635, 257/5, HO/A, PCB part	p/n 1155705580
Terminal for 3635, 256/5, wire part	p/n 1155605080
Terminal for 3635, 605/5, fixed terminals	p/n 3950145108
Terminal for 3670, 257/12, HO/A, PCB part	p/n 1155712580
Terminal for 3670, 256/12, wire part	p/n 1155612080
Terminal for 3635, 605/12, fixed terminals	p/n 3950141208
Terminal for 36105, 257/18, HO/A, PCB part	p/n 1155718580
Terminal for 36105, 256/18, wire part	p/n 1155618080
Terminal for 36105, 605/18, fixed terminals	p/n 3950141808
Terminal for 36157, 257/13, HO/A, PCB part	p/n 1155713580
Terminal for 36157, 256/13, wire part	p/n 1155613080
Terminal for 36157, 605/13, fixed terminals	p/n 3950141308
Blind plate for terminal 278/1	p/n 1157800100
Screw/selfcutting 2 pcs.	p/n 7006102965

● All measurements are in mm.