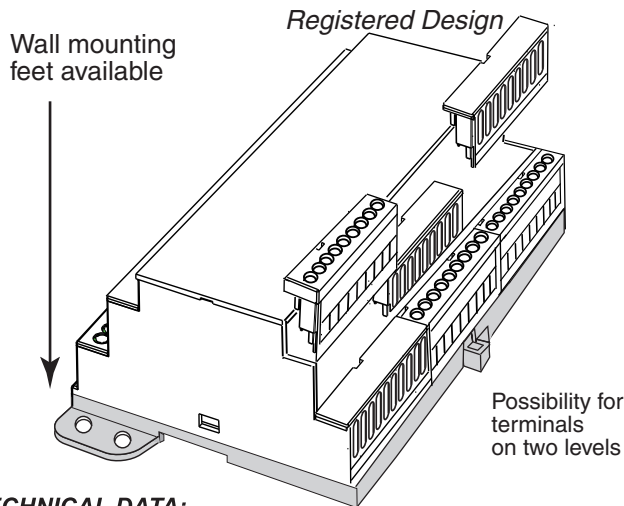


"Intelligent designs for high productivity"

9 MODULE ENCLOSURES FOR M 36 DIN-RAIL BUILDING BLOCK METHOD

SERIES 157 mm



With the advantage of the building block method you can flexibly build your own DIN-rail enclosures with the option of printed circuit boards with terminals on two board levels.

The possibility of mixing single and double covers with different openings for connectors and with and without ventilation gives not only very wide options of connections, but also design wise it offers virtual custom specific enclosure/ designs. Due to designed covers it is possible to add different and individual features to the design.

TECHNICAL DATA:

TOP PART:

Material: Lexan 940
 Colour: Grey (RAL 7035)
 Max. temperature: 100°C
 Width: 157 mm
 (9 modules)
 Self-extinguishing: Acc. to UL94-V0

BASE PART:

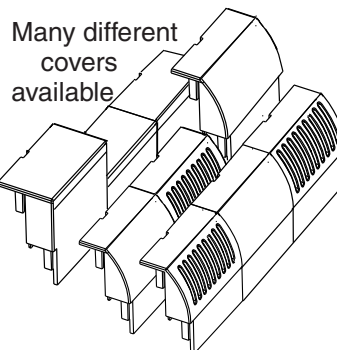
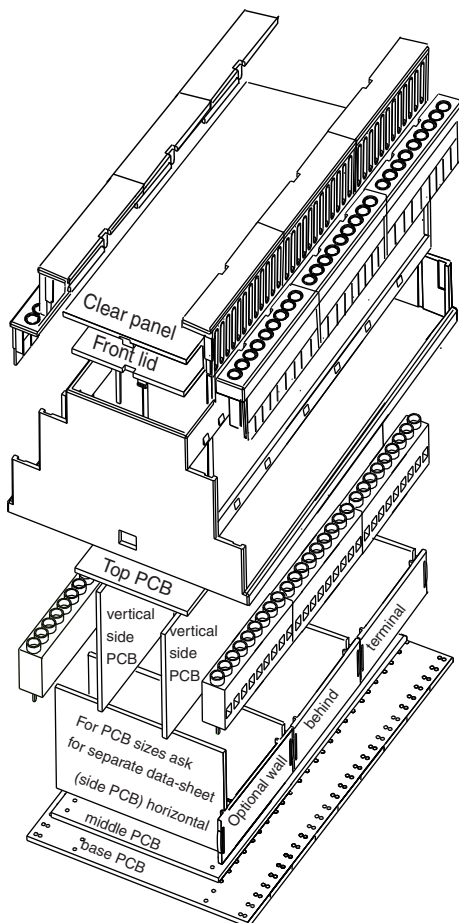
Material: Noryl VO 1550
 Colour: Black (RAL 9005)
 Max. temperature: 100°C
 Terminals: Up to 108 fixed or
 (12x9) pluggable
 Mounting: DIN-rail (EN50022)
 Self-extinguishing: Acc. to UL94-V0

Interconnections in form of pin headers and distance pcs/spacers from board level to board level are available.

Red, smoked, transparent lid and open front is available.

Hinged lid and extended height is available upon request.

Options: Printed numbers and symbols on the cover and colour coded covers. Series 157 is, if requested, available with customer specified holes in front, covers, panels and lid. Prototype PCB, customized label and packing are available.



TYPE 157:	ORDER CODE:
Top part	p/n 8845157001
Cover Low Closed	p/n 8845525101
Cover Low with oval hole (605)	p/n 8845525601
Cover Low, closed, ventilated	p/n 8845525301
Cover Low knock-out	p/n 8845525501
Cover Large, closed, 2-steps	p/n 8845525201
Cover Large, closed, ventilated	p/n 8845525801
Cover Large, closed, curved	p/n 8845525401
Cover Large, closed, curved, ventilated	p/n 8845525701
Base part with clip and 2 screws	p/n 4969021571
Transparent panel	p/n 4969011570
Smoke coloured lid	p/n 4969011571
Red transparent lid	p/n 4969011572
Grey lid	p/n 8845157801
Partition plate (behind terminals)	p/n 8845525111
Terminal 257/9, VE/A, 5.08, PCB part	p/n 3955709380
Terminal 256/9, VE, 5.08, wire part	p/n 3955609780
Terminal 605/9, fixed terminals	p/n 3950149108

- For better explanations see our web-site for interactive presentation.
- Please note that most pluggable terminals are in 5,08 pitch and need a bigger hole in the PCB