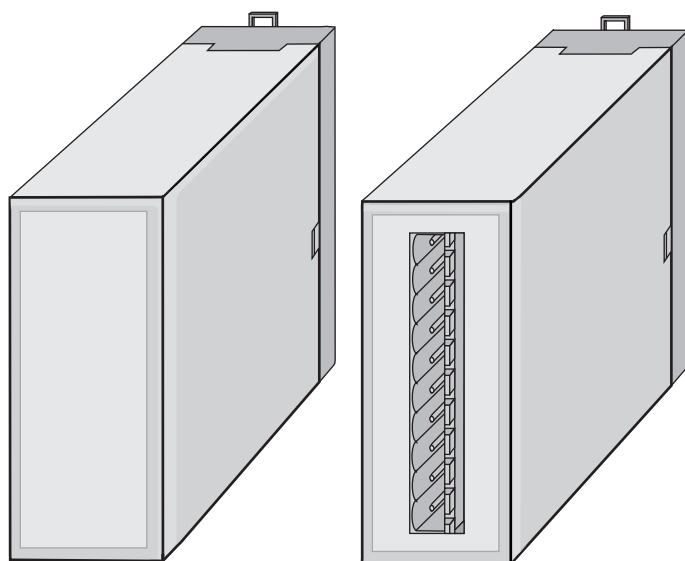


DIN-RAIL MOUNTED ENCLOSURE

SERIES 1435



Modular enclosure for M36 DIN-rail. Series 1435 is designed for automations equipment and can be used with a plugable terminal, a D-sub or other kind of connectors in the front. Holes in the front and sides are available according to customer wishes.

TECHNICAL DATA:

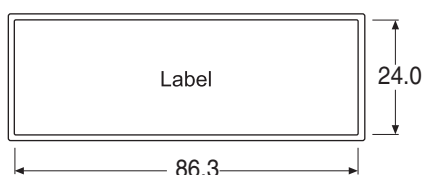
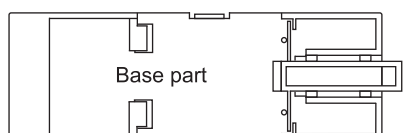
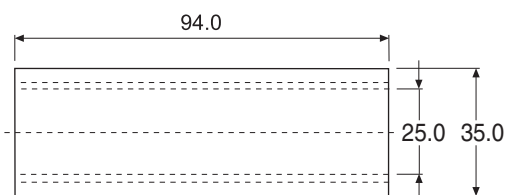
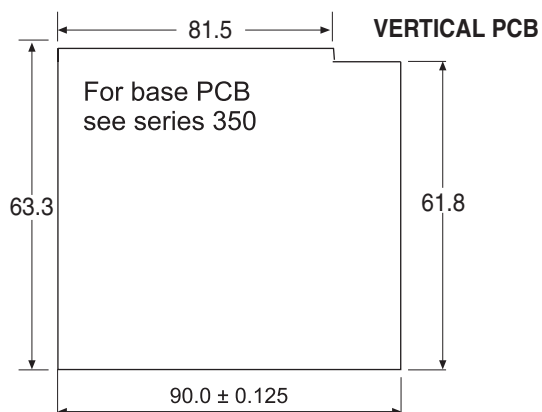
TOP PART:

Material: Lexan 940
 Colour: Grey (RAL 7035)
 Max. temperature: 100°C
 Max. load: 10A
 Terminals: Plugable or D-sub
 Width: 35.0 mm
 (2 modules)
 Label measure: 24.0 x 86.5 mm
 Self-extinguishing: Acc. to UL94-V0

Many other connectors and terminal configurations are available upon request.

BASE PART:

Material: Noryl VO
 Colour: Black
 Max. temperature: 100°C
 Mounting: DIN-rail (EN50022)
 Self-extinguishing: Acc. to UL94-V0



● All measurements are in mm.

TYPE 1435:	ORDER CODE:
Complete	p/n 4969014350
Top, grey	p/n 4969014351
Basepart w. clip + 2 screws	p/n 4969014352
Packing	p/n 2068143500
Terminal type 257/8, HO/A, PCB part	p/n 1155708580
Terminal type 256/8, wire part	p/n 1155608080

