

# "Intelligent designs for high productivity"

## 6 MODULE ENCLOSURE LOW PROFILE FOR M36 DIN-RAIL LIGHT LOW

# SERIES M6

### TECHNICAL DATA:

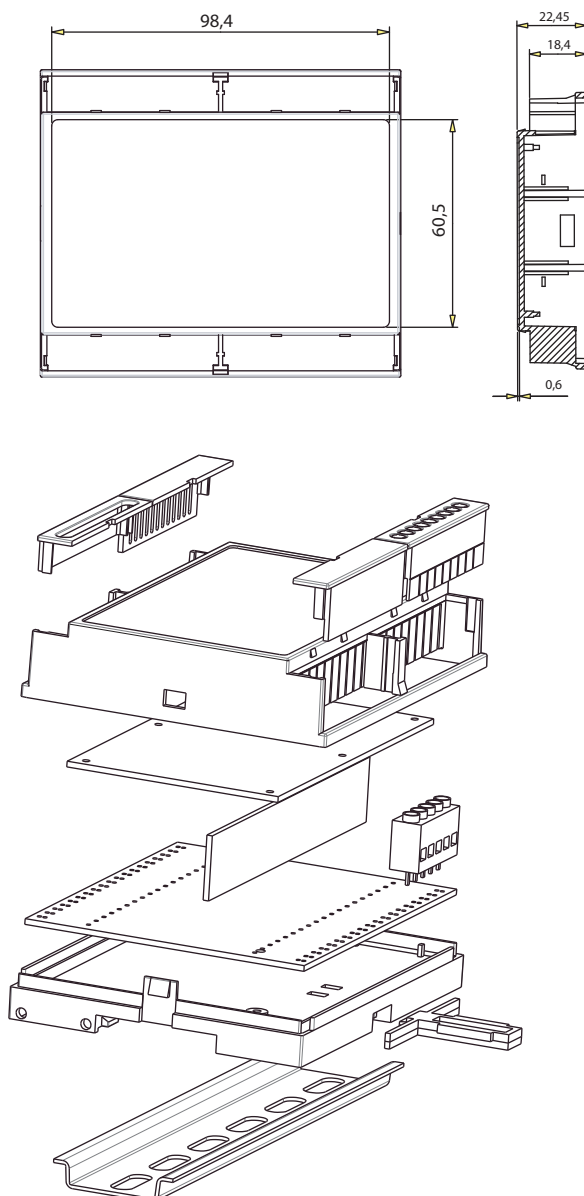
#### TOP PART:

Material: Lexan 940  
 Colour: Grey (RAL 7035) other on request  
 Max.temperature: 100° C  
 Width: 105 mm  
 (6 modules)  
 Label area 98,2 x 60,3

#### BASE PART:

Material: Noryl VO 1550  
 Colour: Black (RAL 9005) other on request  
 Max.temperature 100° C  
 Terminals: Up to 36 fixed or  
 (2x6) plugable  
 Mounting: DIN-rail (EN50022)

**Many different covers available**



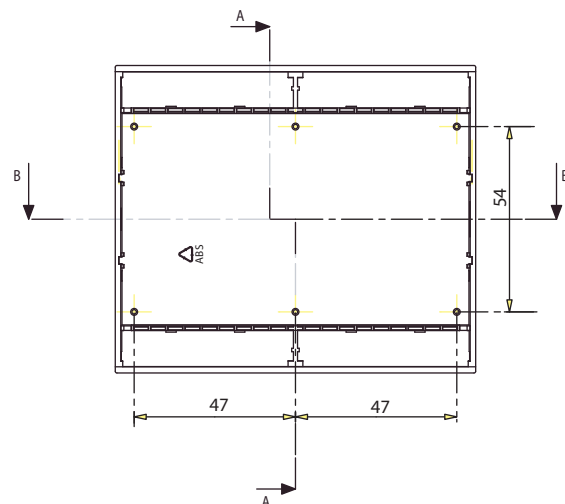
Light Low profile 6 modules enclosure.

With the optional terminal covers you can have a simple and low cost two pcs enclosure or you can use the optional covers to enable you the flexibility to build your customized DIN-rail enclosures.

The possibility of mixing covers with different openings for connectors gives not only very wide options of connections, but also a very good price.

Due to designed covers it is possible to add different and individual features to the design. Interconnections in form of pin headers and distance pcs/spacers from board level to board level are available.

Options: Printed numbers and symbols on the cover and colour coded covers. Series M6 is, if requested, available with customer specified holes in front. Prototype PCB, customized label and packing are available.



Description Type M6 Light Low	Partnumber
Top part	p/n 7069006101
Plugable terminal 9 way, horizontal	p/n 3955606780
Plugable terminal 9 way, horizontal	p/n 3955706380
Fixed terminal 9 way	p/n 3950146108
Cover ventilated	p/n 8845350401
Cover closed	p/n 8845525601
Lower Cover, knock out	p/n 8845525501
Base part type M6 with clip + 2 screws	p/n 4969021051
Low cover with oval hole	p/n 8845525101
Kompleat M6 (top+base)	p/n 6169106101