

# LDG-S

Enclosures for DIN-rails





# LDG-S Enclosure for DIN-rails

## Table of Contents



|                                       |    |
|---------------------------------------|----|
| General . . . . .                     | 2  |
| 3D View . . . . .                     | 3  |
| Dimensions . . . . .                  | 4  |
| PCB Dimensions . . . . .              | 5  |
| Technical Data . . . . .              | 7  |
| LDG-S2 Ordering Information . . . . . | 8  |
| LDG-S4 Ordering Information . . . . . | 10 |
| Part Number Index . . . . .           | 12 |



The LDG-S serie of enclosures are fully insulated enclosures according to the specifications of the machinery and the automotive industries.

Designed for easy snap-on assembly onto DIN-rails by integrated snap-on clip. These enclosures facilitate economical device assembly with optimal utilization of space. For the termination of the conductors of the cable 2 enclosure versions are available:

- pluggable terminals for easy servicing and exchange (commercial pin headers on the pcb.
  - screw terminals for a fixed termination of the conductors.
- For effective heat dissipation the LDG-S enclosure features a base part with integrated ventilation slots. Closed versions (without ventilation slot) are available upon request.

### Technical Features

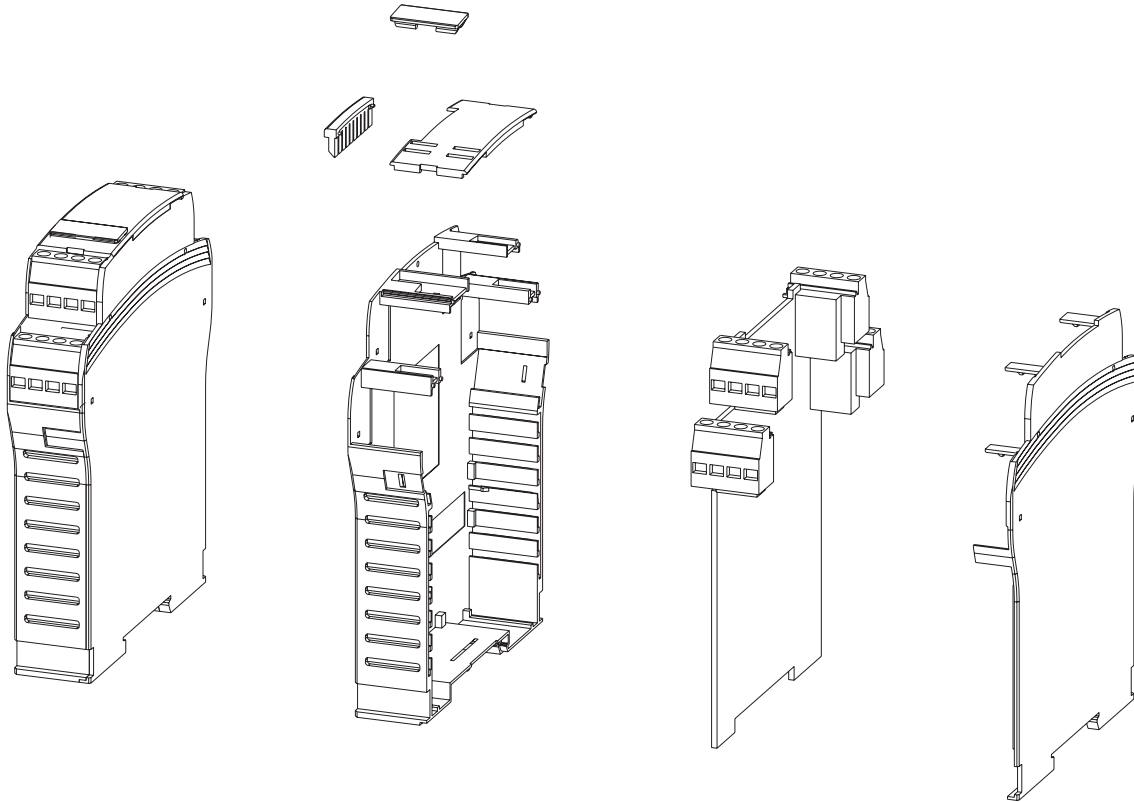
- 2 installation widths: LDG-S2: 22.5 mm  
LDG-S4: 45 mm
- Options for the termination of the conductors:
  - LDG-S2: 4 screw terminal blocks with 4 terminals each  
or  
4 pcb headers with 4 pin contacts each for connecting cable connectors with 4 pins
  - LDG-S4: 8 screw terminal blocks with 4 terminals each  
or  
8 pcb headers with 4 pin contacts each for connecting cable connectors with 4 pins
- Easy snap-on assembly on DIN-rails according to DIN EN 50 022
- Easy assembly of the enclosure achieved by snap-in design of the two base part and the top part
- Transparent housing cover with the option for a label
- Customized colors and versions upon request

# LDG-S Enclosure for DIN-rails

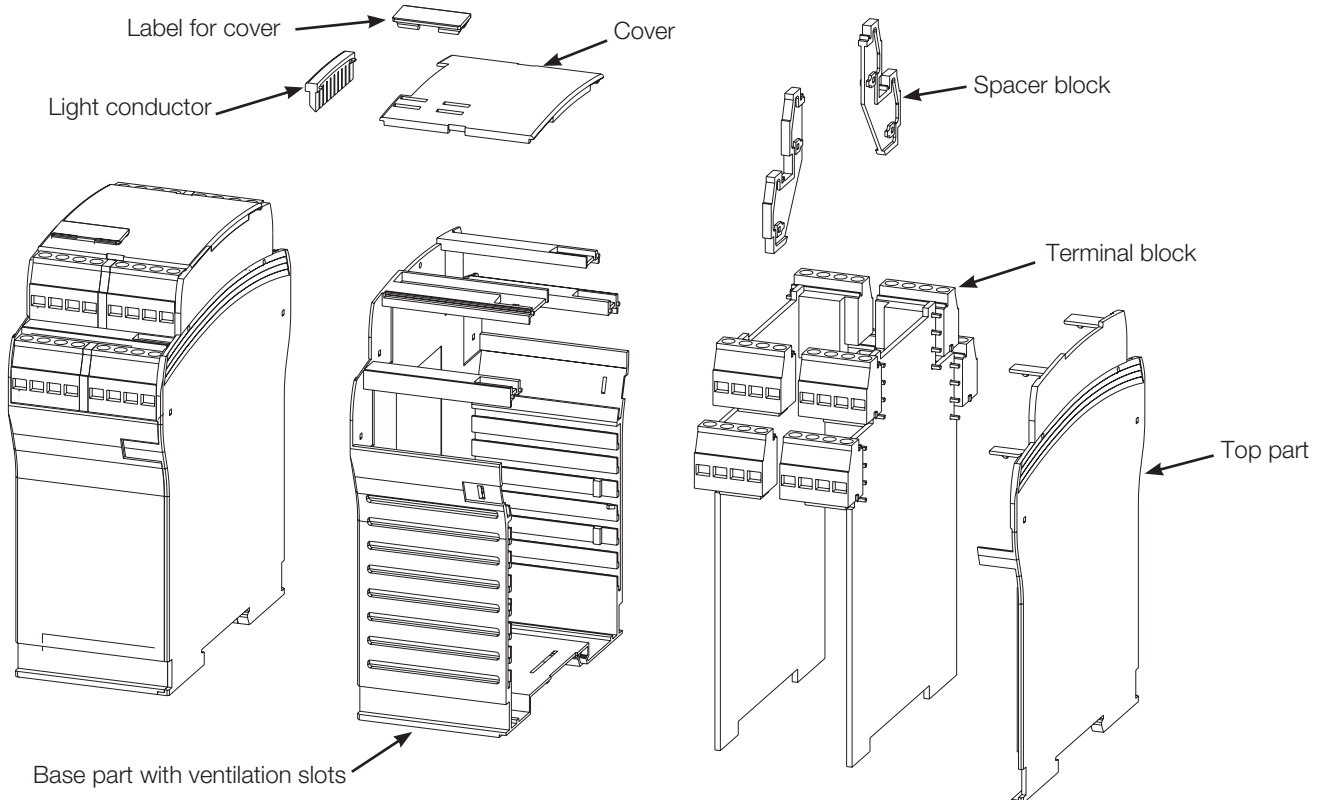
## 3 D View



### LDG-S2: Version with screw termination



### LDG-S4: Version with screw termination

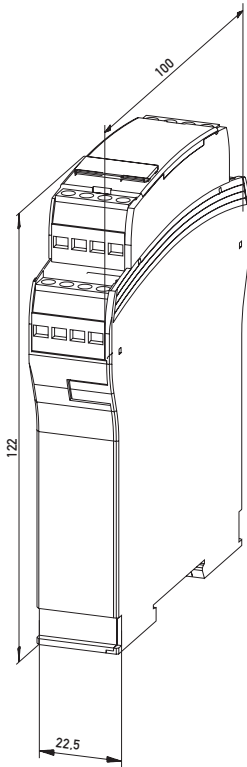


# LDG-S Enclosure for DIN-rails

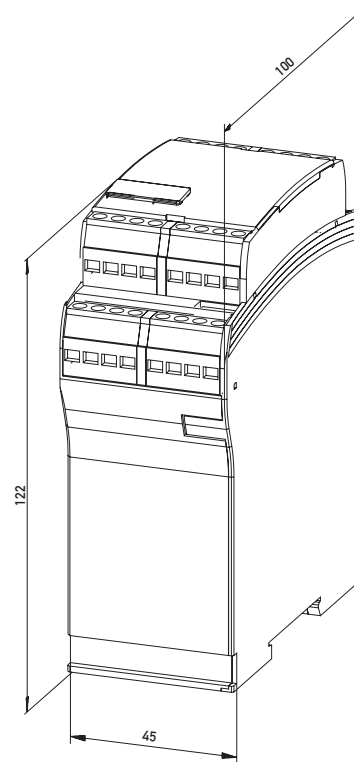
## Dimensions



LDG-S2



LDG-S4



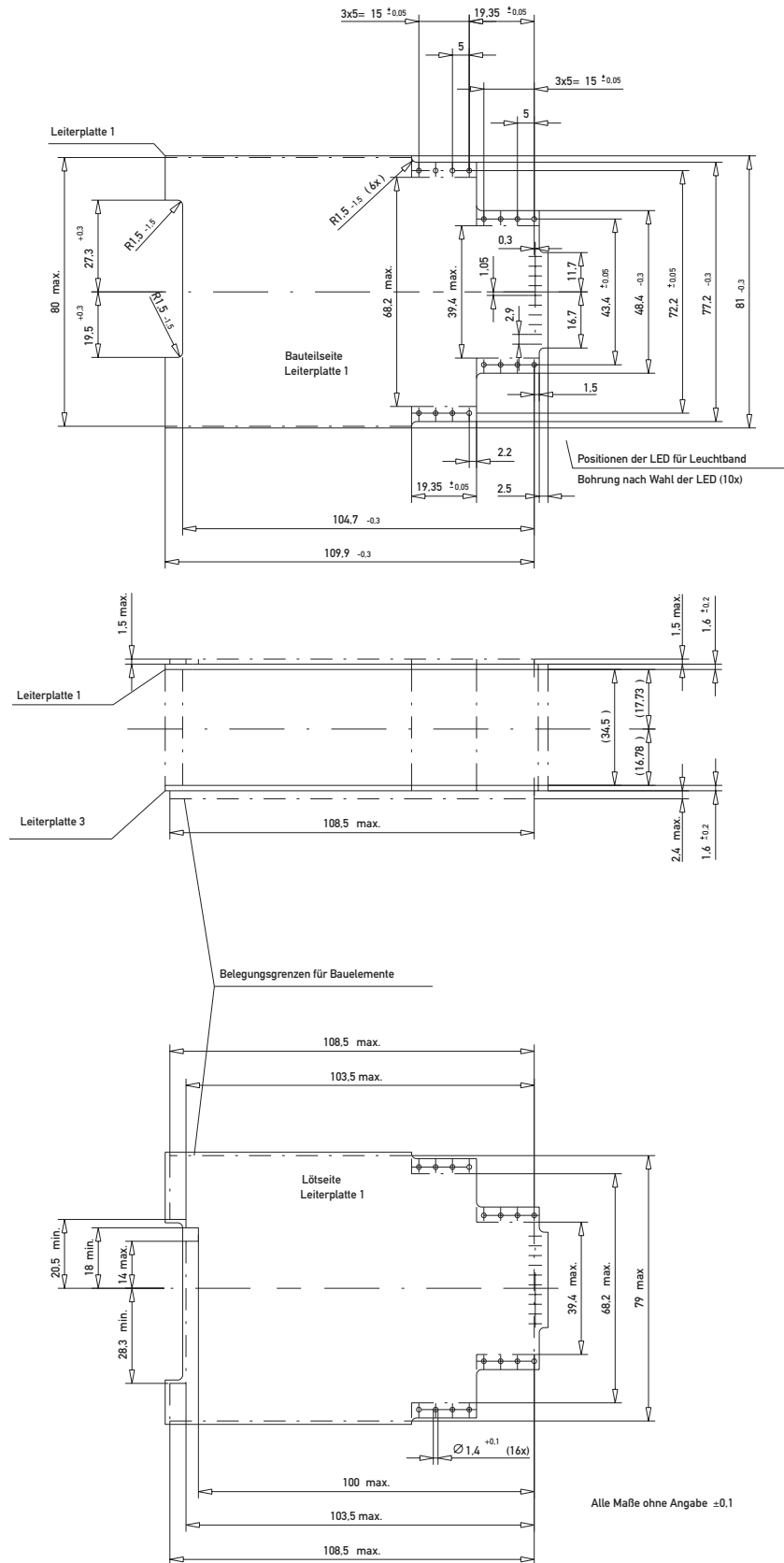


# LDG-S Enclosure for DIN-rails

## PCB Dimensions



### LDG-S4







# LDG-S Enclosure for DIN-rails

## Tecnicl Data



|  |                          |
|--|--------------------------|
| Versions   | LDG-S2, LDG-S4           |
| Degree of protection   | IP 40                    |
| Air- and creepage distance acc. IEC 60 664 for terminalblock | 3.2 mm                   |
| Comparative figure of voltage acc. IEC 112                   | Terminalblock CTI 250    |
| Insulation material acc. IEC 60 664                          | Class III                |
| Current rating terminal / pin headers                        | max. 10 A                |
| Cable diameterr terminal /connector cross section            | max. 2.5 mm <sup>2</sup> |
| Materials  |                          |
| Base part  | Thermoplastic, UL 94 V-0 |
| Top part   | Thermoplastic, UL 94 V-0 |
| Cover  | Thermoplastic, UL 94 V-1 |
| Transparente Cover   | Thermoplastic, UL 94 V-2 |
| Terminal / pin headers                                       | Thermoplastic, UL 94 V-0 |
| Terminal pin Base material / plating                         | Cu-alloy / tinned        |
| Label for cover  | PVC                      |
| Temperature range  | -40 °C ... +85 °C        |

### Dissipation loss (P) at 20°C ambient air temperature (t<sub>a</sub>) in enclosures with ventilation slots

|  | LDG-S2 | LDG-S4 |
|--|--------|--------|
| <br>exposed           | 10 W   | 10 W   |
| <br>in-line w/o space | 7 W    | 8 W    |

### Correction factor for upper ambient air temperature ( $P_{v+u} = P_{v 20°C} \times F$ )

| t <sub>a</sub> | 20 | 30  | 40  | 50  | 60   |
|----------------|----|-----|-----|-----|------|
| F              | 1  | 0.9 | 0.8 | 0.7 | 0.55 |

## LDG-S Enclosure for DIN-rails

### LDG-S2 with Screw Terminal Blocks



#### Order list for complete enclosure and individual components

| Description  | Color | Termination          | Part Number |
|--------------|-------|----------------------|-------------|
| Complete kit | black | screw terminal block | 223119      |

#### Components of the complete kit

| Description                       | Color | Quantity | Part Number |
|-----------------------------------|-------|----------|-------------|
| Base part with ventilation slots* | black | 1        | 134209      |
| Top part                          | black | 1        | 354530      |
| Screw terminal block left, 4pin   | black | 2        | 144008      |
| Screw terminal block right, 4pin  | black | 2        | 144009      |
| Cover                             | black | 1        | 144149      |
| Label                             | white | 1        | 134577      |

#### Additional components

| Description     | Color       | Quantity | Part Number |
|-----------------|-------------|----------|-------------|
| Cover           | transparent | 1        | 134575      |
| Cover, LED      | black       | 1        | 144151      |
| Light conductor | transparent | 1        | 134244      |

\*Base part w/o ventilation slots on request

## LDG-S Enclosure for DIN-rails

### LDG-S2 with Pluggable Screw Terminal Blocks



#### Order list for complete enclosure and individual components

| Description  | Color | Termination                    | Part Number |
|--------------|-------|--------------------------------|-------------|
| Complete kit | black | pluggable screw terminal block | 223120      |

#### Components of the complete kit

| Description                          | Color | Quantity | Part Number |
|--------------------------------------|-------|----------|-------------|
| Base part with ventilation slots*    | black | 1        | 134213      |
| Top part                             | black | 1        | 354530      |
| Pcb header left, 4pin                | black | 2        | 144011      |
| Pcb header right, 4pin               | black | 2        | 144012      |
| Pluggable screw terminal block, 4pin | black | 4        | 144010      |
| Cover                                | black | 1        | 144149      |
| Label                                | white | 1        | 134577      |

#### Additional components

| Description     | Color       | Quantity | Part Number |
|-----------------|-------------|----------|-------------|
| Cover           | transparent | 1        | 134575      |
| Cover, LED      | black       | 1        | 144151      |
| Light conductor | transparent | 1        | 134244      |

\*Base part w/o ventilation slots on request

## LDG-S Enclosure for DIN-rails

### LDG-S4 with Screw Terminal Blocks



#### Order list for complete enclosure and individual components

| Description  | Color | Termination          | Part Number |
|--------------|-------|----------------------|-------------|
| Complete kit | black | screw terminal block | 484250      |

#### Components of the complete kit

| Description                       | Color | Quantity | Part Number |
|-----------------------------------|-------|----------|-------------|
| Base part with ventilation slots* | black | 1        | 354610      |
| Top part                          | black | 1        | 354530      |
| Screw terminal block left, 4pin   | black | 4        | 144008      |
| Screw terminal block right, 4pin  | black | 4        | 144009      |
| Spacer block                      | black | 2        | 144166      |
| Cover                             | black | 1        | 144152      |
| Label                             | white | 1        | 134577      |

#### Additional components

| Description     | Color       | Quantity | Part Number |
|-----------------|-------------|----------|-------------|
| Cover           | transparent | 1        | 134573      |
| Cover, LED      | black       | 1        | 144154      |
| Light conductor | transparent | 1        | 134244      |

\*Base part w/o ventilation slots on request

## LDG-S Enclosure for DIN-rails

### LDG-S4 with Pluggable Screw Terminal Blocks



#### Order list for complete enclosure and individual components

| Description  | Color | Termination                    | Part Number |
|--------------|-------|--------------------------------|-------------|
| Complete kit | black | Pluggable screw terminal block | 484251      |

#### Components of the complete kit

| Description                          | Color | Quantity | Part Number |
|--------------------------------------|-------|----------|-------------|
| Base part with ventilation slots*    | black | 1        | 354602      |
| Top part                             | black | 1        | 354530      |
| Pcb header left, 4pin                | black | 4        | 144011      |
| Pcb header right, 4pin               | black | 4        | 144012      |
| Pluggable screw terminal block, 4pin | black | 8        | 144010      |
| Spacer block                         | black | 2        | 144168      |
| Cover                                | black | 1        | 144152      |
| Label                                | white | 1        | 134577      |

#### Additional components

| Description     | Color       | Quantity | Part Number |
|-----------------|-------------|----------|-------------|
| Cover           | transparent | 1        | 134573      |
| Cover, LED      | black       | 1        | 144154      |
| Light conductor | transparent | 1        | 134244      |

\*Base part w/o ventilation slots on request

# LDG-S Enclosure for DIN-rails

## Part Number Index



| Part Number  | Page         |
|--------------|--------------|
| 134209 ..... | 8            |
| 134213 ..... | 9            |
| 134244 ..... | 8, 9, 10, 11 |
| 134573 ..... | 10, 11       |
| 134575 ..... | 8, 9         |
| 134577 ..... | 8, 9, 10, 11 |
| 144008 ..... | 8, 10        |
| 144009 ..... | 8, 10        |
| 144010 ..... | 9, 11        |
| 144011 ..... | 9, 11        |
| 144012 ..... | 9, 11        |
| 144149 ..... | 8, 9         |
| 144151 ..... | 8, 9         |
| 144152 ..... | 10, 11       |
| 144154 ..... | 10, 11       |
| 144166 ..... | 10           |
| 144168 ..... | 11           |
| 223119 ..... | 8            |
| 223120 ..... | 9            |
| 354530 ..... | 8, 9, 10, 11 |
| 354602 ..... | 11           |
| 354610 ..... | 10           |
| 484250 ..... | 10           |
| 484251 ..... | 11           |





Find your correct contact person  
on [erni.com/locations](https://www.erni.com/locations)