

Description

The special design features of the subrack *InterProtect*[®]:

- ✓ Upper and lower cover are made from a solid extruded aluminium profile. The surface is colourless passivated.
- ✓ The profiles are provided with 11 screwing points on each side in order to fix the side panels.
- ✓ The profiles are equipped with channels to insert mounting or threaded strips. These strips are designated to fix frontpane, rear wall, card guides and connectors resp. backplanes.
- ✓ Connector and backplane sections can be realized with nominal depth of 160, 180, 220 und 240 mm.
- ✓ Card guides with a nominal depth of 160 and 220 mm, optionally snap-in or screwable can be used.
- ✓ The side walls, front panel and rear wall are made of seawater resistant aluminium. They have a material thickness of 4 mm and are colourless passivated.
- ✓ Front panel and rear wall are each fixed on the 3U with 28 (42HP) resp. 52 (84HP) screws, on the 6U with 36 (42HP) resp. 60 (84HP) screws.

- ✓ The use of high-quality sealing materials provides for an optimal protection against dirt, dust and the intrusion of water.
- ✓ By the use of conductive sealings an optimal shielding is achieved.
- ✓ The sealings are made of silicone resp. the conductible variant of silicone, filled with particles of nickel-plated graphite. Upon request it is also possible to use sealings made of fluorine silicone or of conductible particles of silver-plated aluminium.

Delivery form:

Supplied as unassembled kits.

These are either packed as a kit of parts for one unit or as individual components, whereby parts of similar type are packed together.

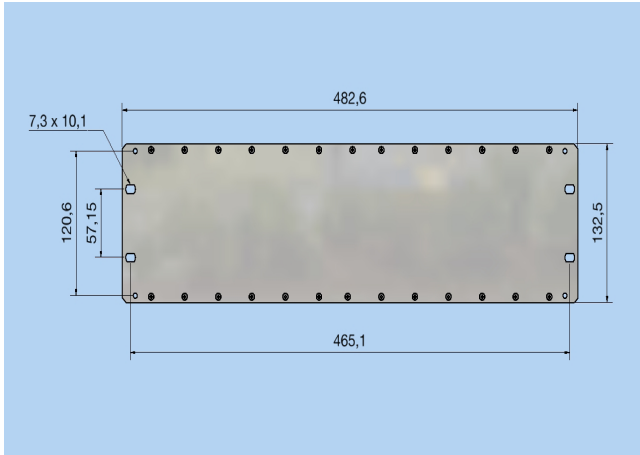
On request, delivered as assembled and wired subrack according your requirements.

Technical Data

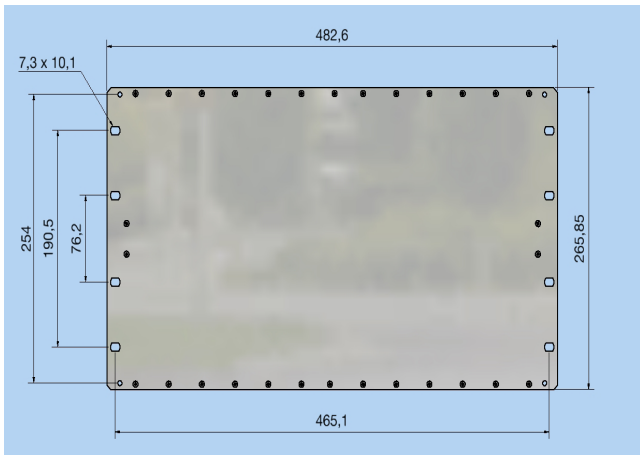
Dimension	Acc. to DIN 41 494/ IEC 60 297
Width / horizontal pitch	84 / 42 usable HP / 5,08
Depth of backplane	160, 180, 220, 240 mm (Nominal depth)
Attachment of plug-in connector	M 2,5 as grid of 5,08 mm for pug-in connectors acc. to DIN 41 612, VG 95 324, IEC 60 603-2
Materials	screws: stainless steel, assembly and threaded strips: steel or stainless steel , other parts: aluminium
Surfaces	aluminium parts: colourless passivated, steel parts zink-cromated and colourless chrome-plated
Protection class	acc. to DIN EN 60529, IP66 Protection against contacted acc.to VDE 0160
Temperature range	-55 to +160 °C
Protective earthing	After assembly all metal parts have an electrically conductive interconnection acc. to VDE 100/12.65, § 6 Nb

Subrack

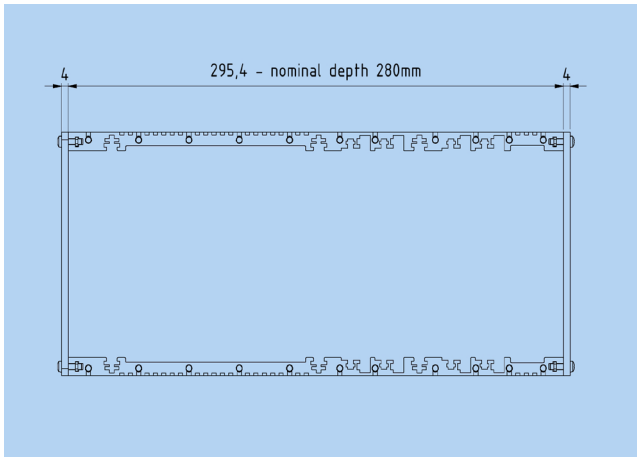
Dimension



Subrack 3 TE



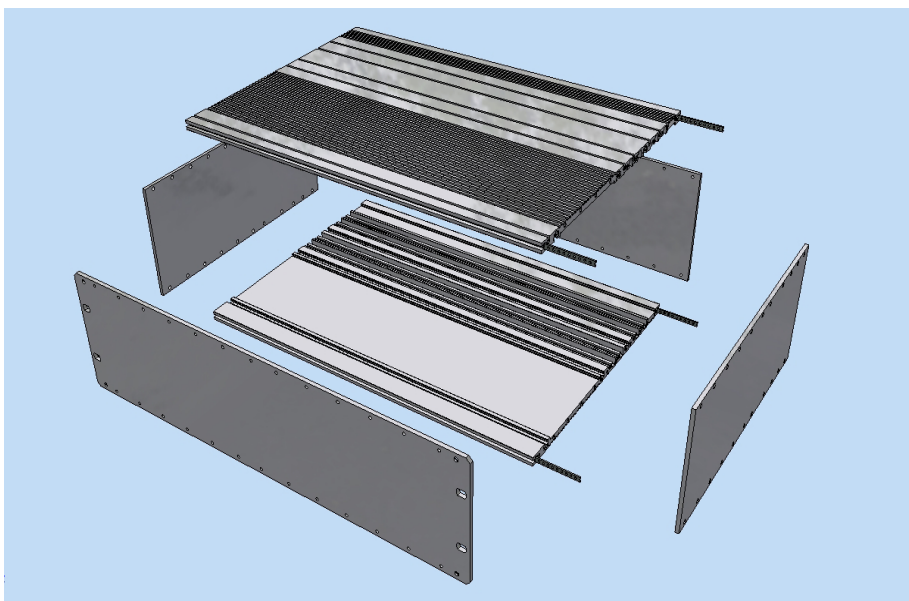
Subrack 6 TE



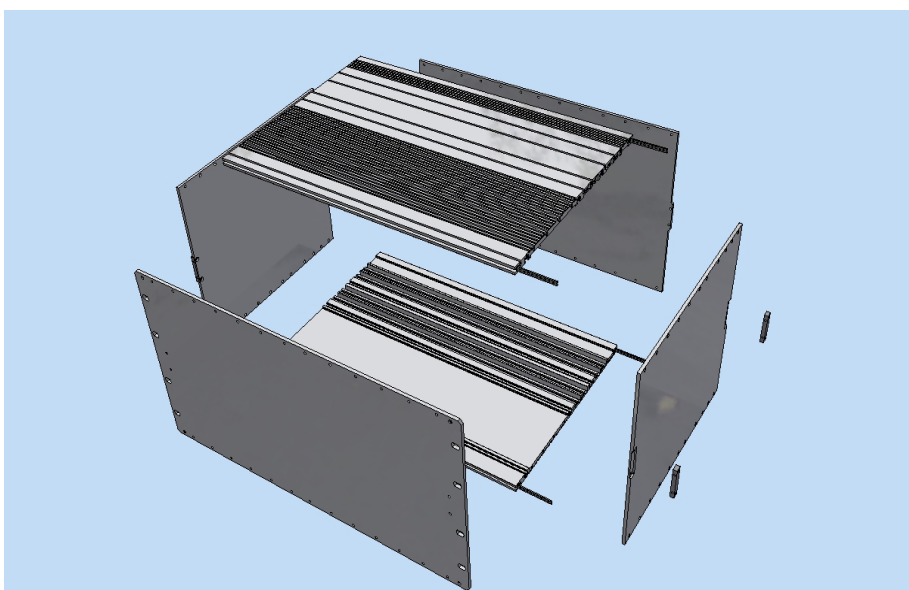
Depth dimensions of subrack

Subrack *InterProtect*®

Subrack



Subrack 3U



Subrack 6U

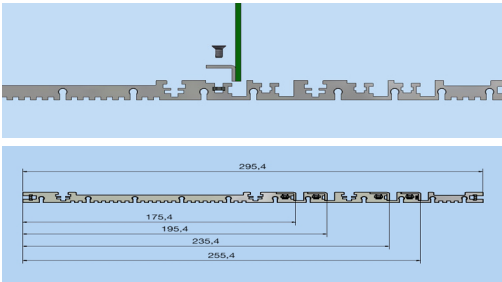
Ordering details for kits

	nom. depth [mm]	order no. 409.
3 U - subrack		
42-3-280	280	138 802
84-3-280	280	138 803
6 U - subrack		
42-6-280	280	138 821
84-6-280	280	138 822

Delivery

	pieces per kit 3U-42HP	pieces per kit 3U-84HP	pieces per kit 6U-42HP	pieces per kit 6U-84HP
Subrack profile 280	2	2	2	2
Side panel 280	2	2	2	2
Front panel	1	1	1	1
Rear panel	1	1	1	1
Threaded strip	4	4	4	4
Pan-head screw M3x12	28	52	36	60
Pan-head screw M4x16	44	44	44	44
Connector 6U	-	-	4	4
Countersunk sciew M3x6	-	-	8	8

Sealings are not included. They must be ordered in accordance to your application and requirements. Further details and possibilities of other applications are in the chapter Subrack-Accessories



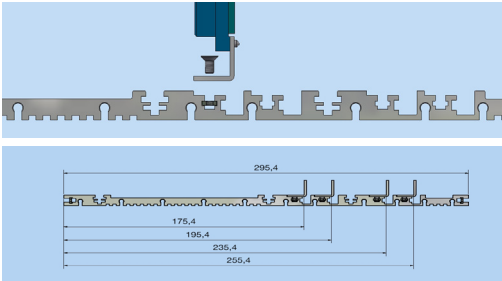
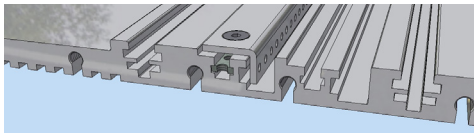
Kit for backplane fixing bar

Material: aluminium
Finish: colourless passivated (TCP)

Scope of delivery:
2 backplane fixing bars
2 treaded strips
Fixing screws

Ordering details for kits

	order no.
	409.
Backplane-fixing bars 42HP	138 976
Backplane-fixing bars 84HP	138 977



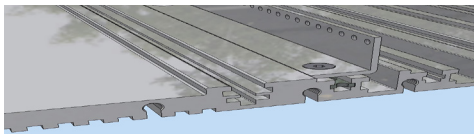
Kit for pin assignment

Material: aluminium
Finish: colourless passivated (TCP)

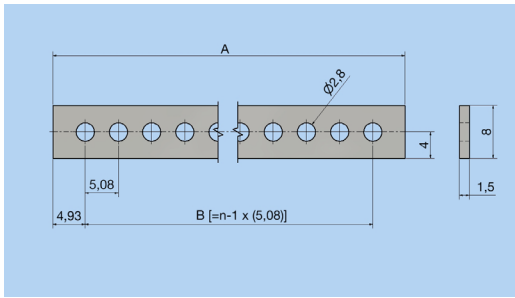
Scope of delivery:
2 connector fixing
2 treaded strips
Fixing screws

Ordering details for kits

	order no.
	no.409.
connector fixing 42HP	138 978
connector fixing 84HP	138 979



Subrack InterProtect® Accessories



Mounting strip for snap-in card guide

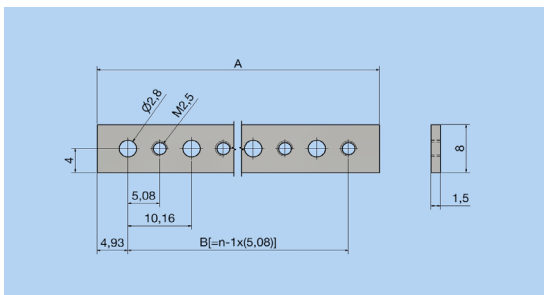
Material: steel or stainless steel
 Finish: electrogalvanized, colourless chrome plated resp. stainless steel blank

Every card guide section requires 4 assembly strips.

Ordering details for kits snap-in

n = number of holes	A [mm].	B [mm]	steel order no. 409.	stainless steel order no. 409
42	218,14	202,28	138 811	138 872
84	431,50	421,64	138 812	138 873

Other lengths on request.



Mounting strip for screwable card guide

Material: steel or stainless steel
 Finish: electrogalvanized, colourless chrome plated resp. stainless steel blank

Every card guide section requires 4 assembly strips.

Ordering details for kits screwable

n = number of holes	A [mm].	B [mm]	steel order no. 409.	stainless steel order no. 409
42	218,14	202,28	138 870	138 874
84	431,50	421,64	138 871	138 875

Other lengths on request.

Ordering details for kits

Sealing kit	Sealing kit IP * order no. 409.	Sealing kit IP/EMV ** order no. 409.
3U-42HP	138 905	138 906
3U-84HP	138 908	138 909
6U-42HP	138 911	138 912
6U-84HP	138 914	138 915

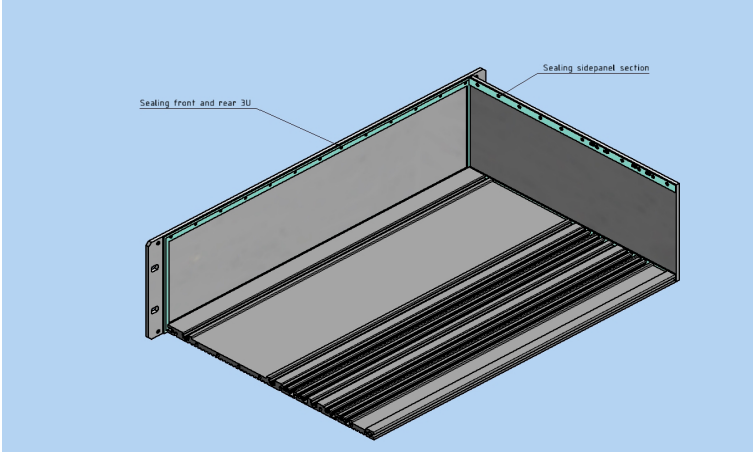
* Sealings are made of silicone / ** Sealings are made of silicone filled with particles of nickel-plated graphite.

Scope of dedelivery:

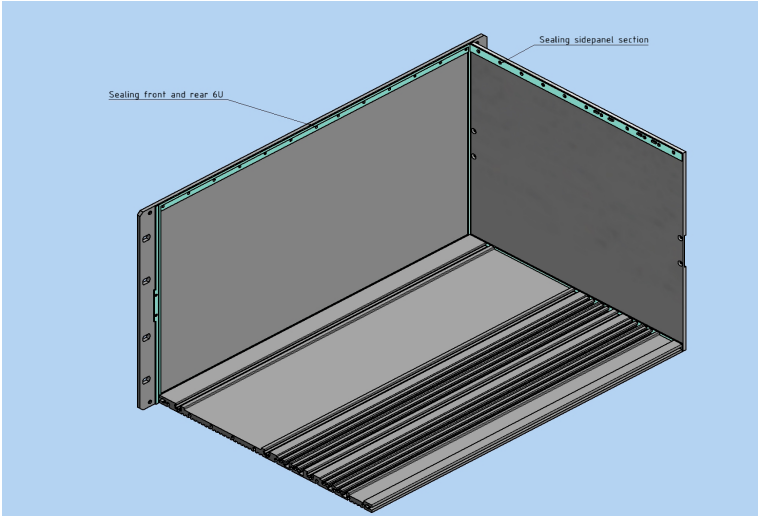
- 2 Sealing right and left
- 2 Sealing left and right
- 2 Sealing F/R

Subrack

Realising of the shielding



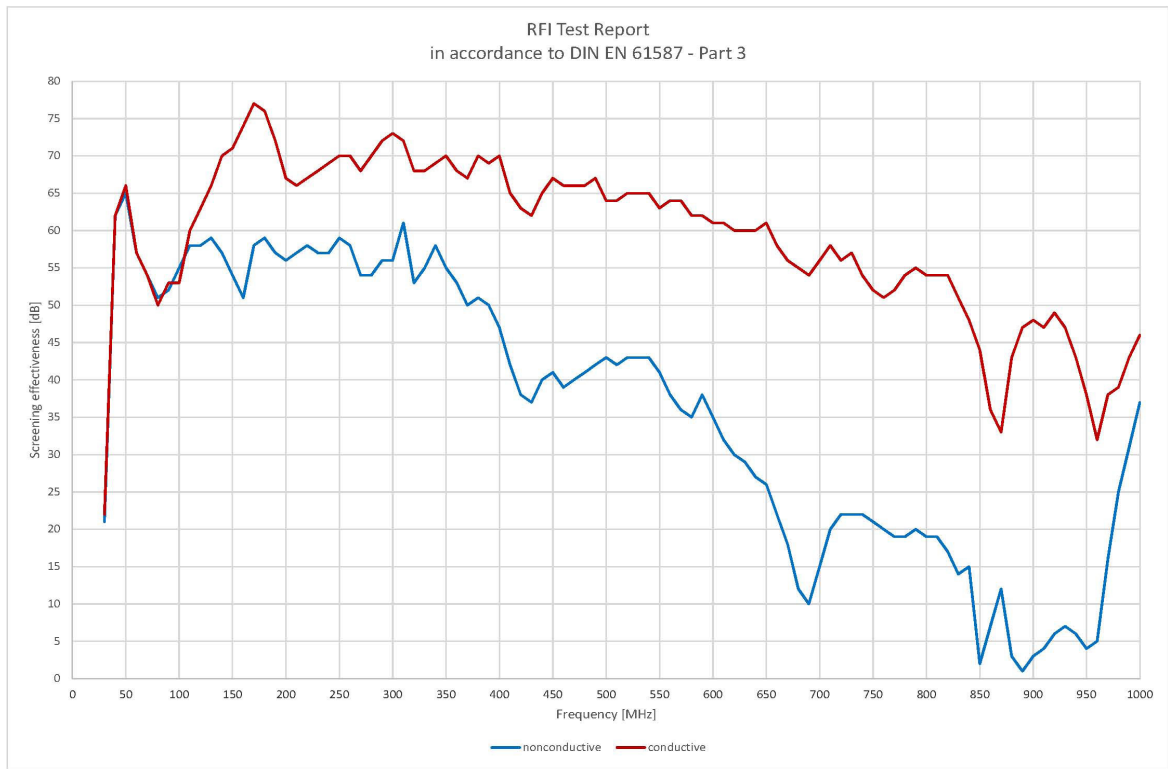
Subrack 3U



Subrack 6U

Measurement configurations *InterProtect*[®]

Subrack



Shielding efficiency depends on the material of the used sealing material.

Attenuation of shielding:

The shielding effectiveness of the empty subrack was determined in accordance with DIN EN 61 587-Part 3.

Testing institute:

The measurements were performed at *hummel electronic* in Fellbach, Germany.

Test specimen 1

This subrack was equipped with sealings made of silicone, filled with particles of nickel-plated graphite.

Test specimen 2

This subrack was equipped with sealings made of silicone.

Configuration module

<input type="checkbox"/> Subrack	piece _____
Dimensions	height: <input type="checkbox"/> 3 U <input type="checkbox"/> 6 U <input type="checkbox"/> other ____ U width: <input type="checkbox"/> 84 HP <input type="checkbox"/> 42 HP <input type="checkbox"/> other ____ HP depth: <input type="checkbox"/> 280 mm
Backplane	<input type="checkbox"/> CPU number of slots _____ <input type="checkbox"/> J1 VME number of slots _____ <input type="checkbox"/> J1/J2 Monolithic VME number of slots _____ <input type="checkbox"/> VME64x number of slots _____ <input type="checkbox"/> CPCI Systemslot: <input type="checkbox"/> right <input type="checkbox"/> left width Systemslot: <input type="checkbox"/> 4 HP <input type="checkbox"/> 8 HP
Depth of PCB:	<input type="checkbox"/> 160 mm <input type="checkbox"/> 180 mm <input type="checkbox"/> 220 mm <input type="checkbox"/> 240 mm
Accessories:	<input type="checkbox"/> Backplane-mounting bracket <input type="checkbox"/> Connector fixing <input type="checkbox"/> Installation strip: card strip snap-in <input type="checkbox"/> Installation strip: card strip screwable <input type="checkbox"/> Sealing: <input type="checkbox"/> Silicon <input type="checkbox"/> Silicone with particles of nickel-plated graphite
Notes	_____ _____ _____ _____

Subrack



Intermas-Elcom GmbH
 Daimlerweg 6
 D-64293 Darmstadt
 GERMANY

Phone: +49 (0) 61 51 13 73 - 0
 Fax: +49 (0) 61 51 13 73 - 100
 E-mail: info@intermas-el.com
 Web: www.intermas-el.com



Intermas US, LLC
 5174 McGinnis Ferry Road 117
 Alpharetta, GA 30005
 USA

TollFree: 1 800 811 0236
 Phone: +1 770 931 9994
 Fax: +1 770 931 1961
 E-mail: intermas@intermas-us.com
 Web: www.intermas-us.com



Intermas Canada Inc.
 10 Campbell Drive
 Uxbridge, Ontario L9P 1R5
 Kanada

Phone: +1 416 884 7659
 Fax: +1 905 852 0130
 E-mail: p.butchart@intermas.ca
 Web: www.intermas.ca